

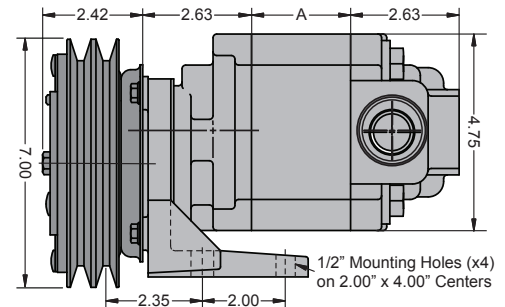
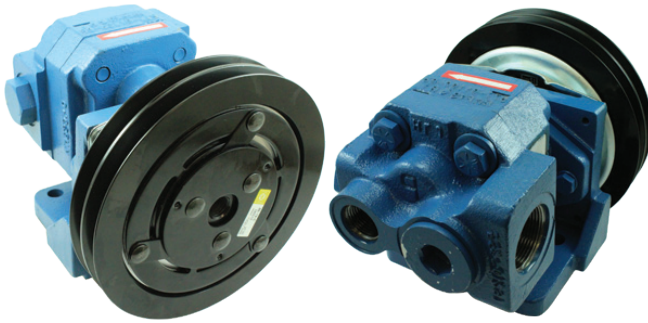
COMPLETE CLUTCH PUMPS WITH BRACKET & CLUTCH



Technical Information

Clutch Pumps - 7" AA Groove Clutch

- Clutch Pumps Come **WITH** the Mounting Bracket and Clutch
- Permco • 100% Factory Tested • Clockwise Rotation • High Strength Alloy Steel Gear and Shaft Set • Doweled and Rugged 3-Piece Cast Iron Construction
- Mounting is SAE Type 'A' Bracket with Pad Mount • Pressure Balanced for High Efficiency
- Heavy Duty Sleeve Bushing Design in a Small Frame Size • Dual Ported (One Side Inlet, One Back Inlet, One Side Outlet & One Back Outlet)
- Rugged 120 ft. lb. after burnishing (see included burnishing tips) • Clutch draws 3.9 Amps when engaged
- Typical Applications Include: Recovery & Utility Vehicles, Snow Plows, Spreaders, Winches, Small Hoists, Aerial Devices, Lift Gates, Bale Beds



Clutch Pump
AA Groove

Stock Number	In3 Per Rev.	GPM @ 1000 RPM	GPM @ 2000 RPM	GPM @ 3000 RPM	RPM Range	Max PSI	Inlet Ports Size	Outlet Ports Size	Clutch	A Dim.	Ship Wt.
9504323	0.62	2.5	4.9	7.4	600-2999	3500	#20 SAE	#12 SAE	7" AA Groove	0.90	31
9504326	0.93	4.0	8.1	12.1	600-3000	3500	#20 SAE	#12 SAE	7" AA Groove	1.15	32
9504329	1.24	4.9	9.8	14.6	600-3000	3500	#20 SAE	#12 SAE	7" AA Groove	1.40	32
9504332	1.55	6.2	12.4	18.6	600-3000	3500	#20 SAE	#12 SAE	7" AA Groove	1.65	33
9504335	1.86	7.4	14.6	22.0	600-3000	3200	#20 SAE	#12 SAE	7" AA Groove	1.90	34
9504338	2.17	8.6	17.3	25.9	600-3000	2900	#20 SAE	#12 SAE	7" AA Groove	2.15	35
9504341	2.48	10.0	19.5	29.3	600-3000	2500	#20 SAE	#12 SAE	7" AA Groove	2.40	35

Clutch Pump Switch Kit

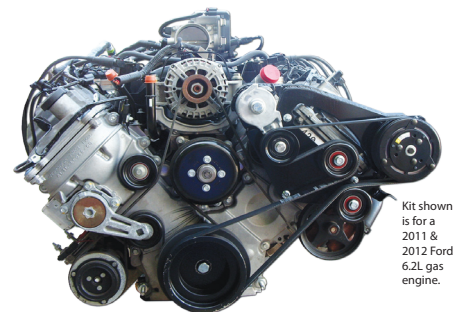
- Complete With All Mounting Hardware Including 20 ft. of 16-Gauge Wire • Fuse Holder With 10 Amp Fuse • SPST Rocker Switch With Pilot Dependent Light and Dash Mounting Bracket • Includes Instructions • For Use With Clutches 6200223, 6200226, 6200224 and 6200225



Stock Number	Ship Wt.
6200222	2.00

Clutch Pump Mounting Kits

- The year, make, model, gas or diesel engine size must be known to order the correct mounting kit for your truck or van.
- Let us help you choose the right combination of components.
- Hydraulic pressure is available at an idle, in all gears, neutral and reverse.
- Kits are available to fit most trucks.
- Simplified installation with included instructions
- Kits are engineered for a precise fit.
- Long lasting steel or cast iron pulleys are used for long life.
- In-line kit for low-torque applications are available.
- Kits for Sanden and Seltac A/C compressors are available.
- Most kits fit trucks equipped with or without AC.
- Kits for 3" spool J-180, GM, Ford and several other styles of alternators available.



Kit shown is for a 2011 & 2012 Ford 6.2L gas engine.

